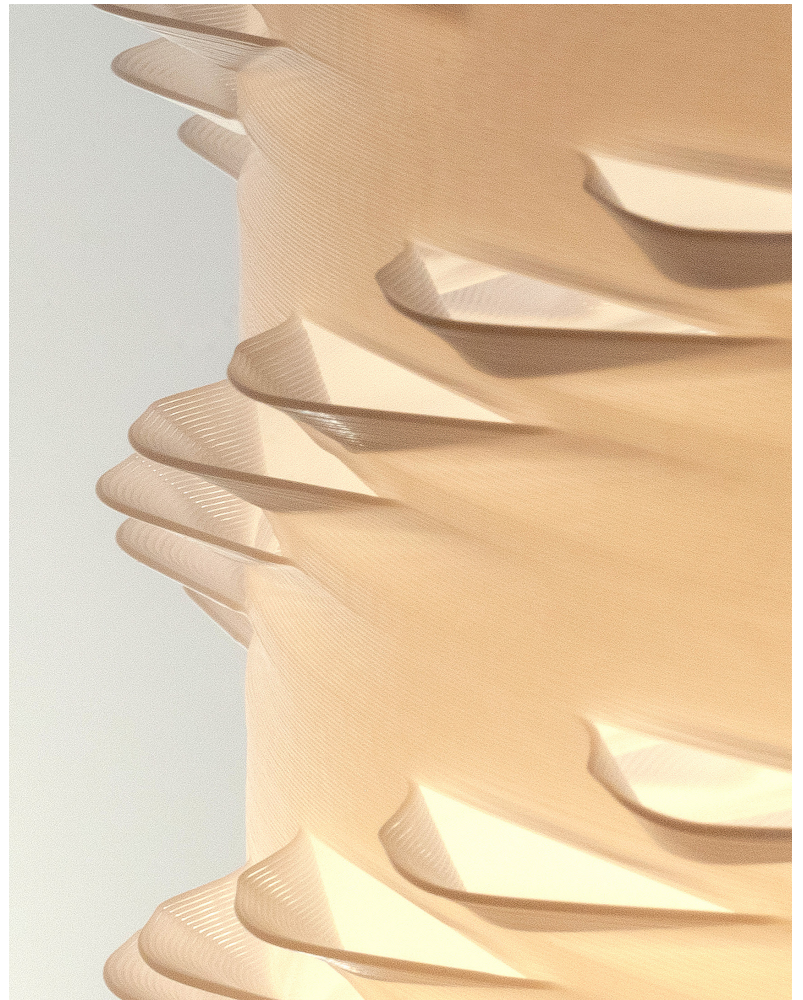


PL Series

Errata





Errata PL Series

This lamp pushes the boundaries of traditional fused filament fabrication 3-D printed objects. The organic wave patterns both shade and expose the internal illumination as the viewer changes positions relative to the lamp.

Extruded from recyclable PETG, this material is highly durable and easy to maintain. Recycled and downcycled PETG are options with limited finishes. Contact the studio for more information.

Top diffuser and lamp socket ring are made of 1/4" clear acrylic.

Designed to handle an abundance of LED bulbs so you can experiment with what works best for your lighting situation.

Use with our in-house LED lamp cord sockets, or with any third party compatible cord set.

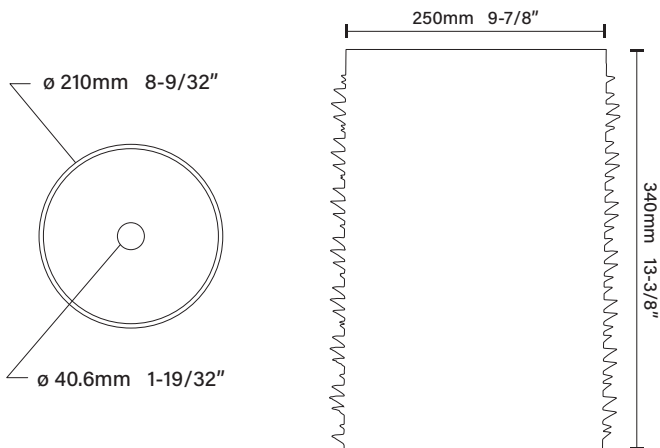
Shade Finishes

- Putty PETG
- Ice Clear PETG
- Cinnabar PETG
- Whale Grey PETG
- Snow White PETG
- Pistachio PETG

Other custom colors available.

Designed and fabricated in our studio. Top acrylic diffuser contains designer's mark along inside lamp socket ring.

Contact studio for current lead times.



Fluxication

Architectural + Decorative Lighting

719 South 75th Street, Suite 2, Omaha, NE 68114

+1 402 983 8308

fluxication.com