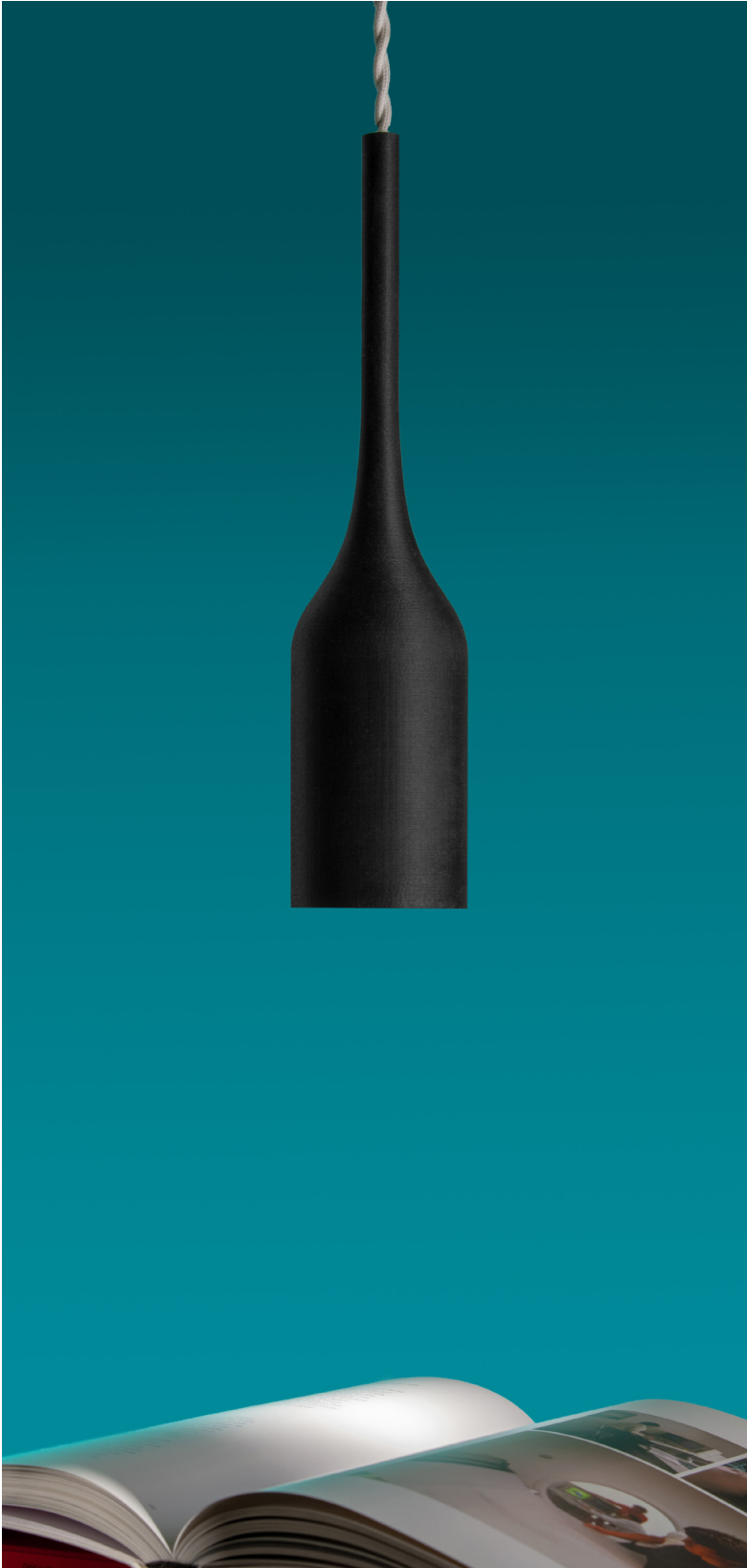


PL Series
Flute





Flute PL Series

Sophistication through simplicity are the watchwords of this timeless design. Our fused filament fabrication 3-D printed lamps utilize continuous, non-interrupted single extrusion designs to ensure a seamless shade.

Extruded from recyclable PETG, this material is highly durable and easy to maintain. Recycled and downcycled PETG are options with limited finishes. Contact the studio for more information.

Uses LED PAR-20 bulb on opaque finishes. Clear finishes use LED A19 bulb. Customizable color temperature and luminance.

Cord set is color and material are completely customizable.

Bottom diffuser insert optional on opaque finishes.

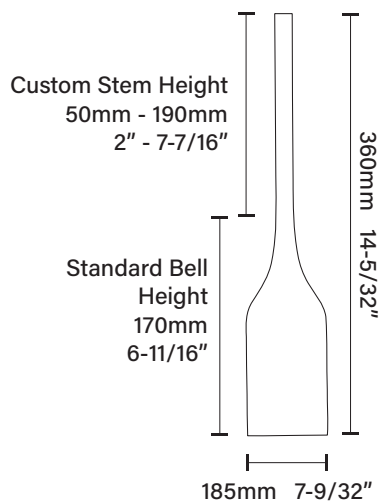
Finish options include rubberized paint for use in complex design circumstances where minimal glare from the shade is necessary.

Shade Finishes

- Putty PETG
- Ice Clear PETG
- Cinnabar PETG
- Whale Grey PETG
- Snow White PETG
- Pistachio PETG
- Rubber Coated Black PETG

Designed and fabricated in our studio.

Contact studio for current lead times.



Fluxication

Architectural + Decorative Lighting

719 South 75th Street, Suite 2, Omaha, NE 68114

+1 402 983 8308

fluxication.com