

PL Series

Kain





Kain PL Series

Thousands of minute extruder movements are used to weave this fused filament fabrication 3-D printed lamp. The resulting texture is reminiscent of Turkish terrycloth.

Light from this lamp is filtered through each individual fiber giving a bright but diffuse illumination from the sides of the shade.

Extruded from recyclable PETG, this material is highly durable and easy to maintain. Recycled and downcycled PETG are options with limited finishes. Contact the studio for more information.

Top diffuser and lamp socket ring are made of 1/4" clear acrylic.

Designed to handle an abundance of LED light bulbs so you can experiment with what works best for your lighting situation. Use with our in-house

LED lamp cord sockets, or with any third party compatible cord set.

Cord set and socket are customizable.

Shade Finishes

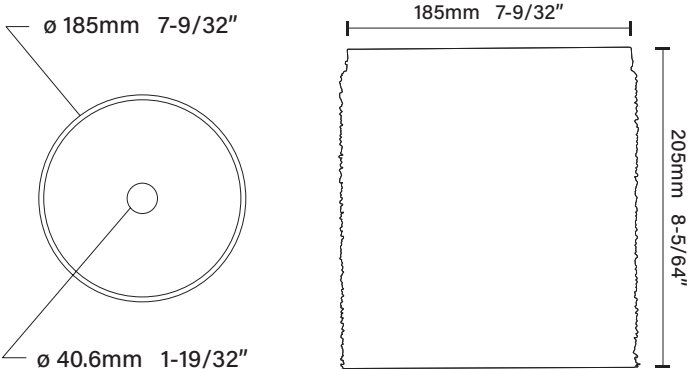
- Putty PETG
 - Ice clear PETG
 - Cinnabar PETG
 - Whale Grey PETG
 - Snow White PETG
- Other custom colors available.

Designed and fabricated in our studio. Top acrylic diffuser contains designer's mark along inside lamp ring.

Contact studio for current lead times.

Etymology

Kain is the Malay word for "cloth".



Fluxication

Architectural + Decorative Lighting

719 South 75th Street, Suite 2, Omaha, NE 68114

+1 402 983 8308

fluxication.com