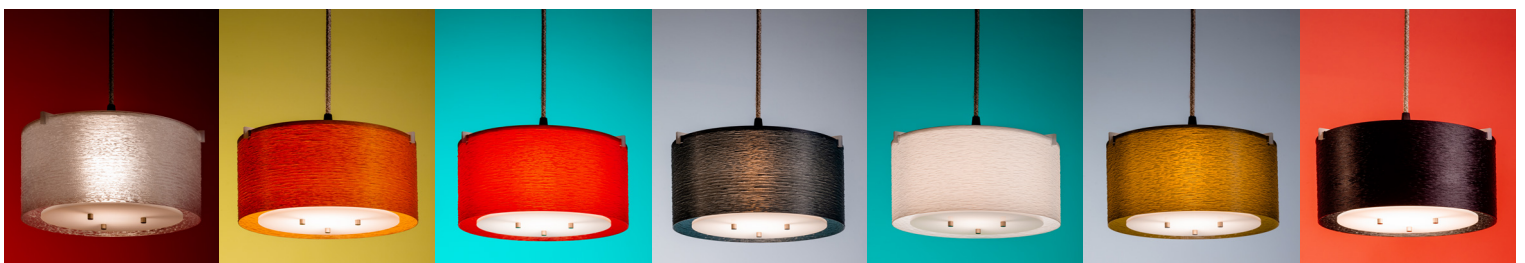


PL Series

Suneg





Suneg **PL Series**

The back-lit natural pattern of geologic striation in this lamp lends a modern, organic substance to any space.

The lamp incorporates a combination of a textured PLA or PETG 3-D printed shade with translucent acrylic top and bottom diffusers.

Use with our in-house LED lamp cord sockets, or with any third party compatible cord set. Bottom diffuser is removable for bulb replacement.

Cord set, top and bottom ferrules, and socket are customizable.

Designed and fabricated in our studio. Top acrylic diffuser contains designer's mark along inside lamp ring.

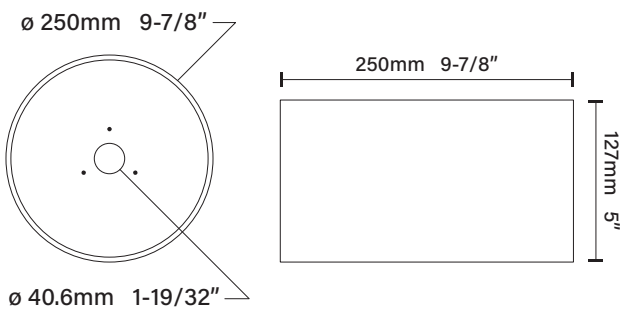
Contact studio for current lead times.

Shade Finishes

- Putty PETG
 - Ice Clear PETG
 - Bamboo Wood PLA
 - Cinnabar PETG
 - Whale Grey PETG
 - Snow White PETG
 - Pistachio PETG
 - Ebony Wood PLA
- Other custom colors available.

Etymology

Monsignor Joseph Suneg (1897-1989) was a priest from Omaha whose lamp designs for Saint Margaret Mary's Church inspired this motif.



Fluxication

Architectural + Decorative Lighting

719 South 75th Street, Suite 2, Omaha, NE 68114

+1 402 983 8308

fluxication.com